

Powered by Trust™



GreenStar Mini
Perfect Comfort For Perfect Homes



Over 70 years of enterprise and dedication in putting technology to work, bear testimony to Bharat Bijlee's evolution from a pioneer of electrical engineering in India to one of the biggest and most trusted names in the industry today.

Our product portfolio includes power transformers, induction motors, electrical projects, pumps, special maintenance products, AC and DC drive systems and gearless machines for elevators. The common thread is our abiding concern for quality.





NO MACHINE ROOM



GEARLESS



LOW NOISE



COMPACT DESIGN

GreenStar Mini

PMSM Gearless Machines for Home Elevators

- The new GreenStar Mini simplifies vertical mobility inside your home.
- Travel comfortably to every floor.
- Give elderly and dependent people the freedom to move from floor to floor without using the stairs.
- GreenStar Mini is a Gearless PMSM machine, ideal for loads up to 300 kg and travel up to 15 meters.
- GreenStar Mini is compact and facilitates elevators with a minimum of space and civil work.
- GreenStar Mini operates on single-phase 230V domestic power supply.
- GreenStar Mini is silent, it uses no oil, reduces power consumption and is also eco-friendly.



SPECIFICATIONS

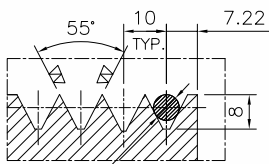
HOME LIFT MACHINE

Model No.	Duty Load (Kg.)	Equivalent Pass. Capacity (Nos.) Up To	Speed (m/s)	Roping	No. of Ropes	Rope Dia. (mm)	Pulley Dia. (mm)	Rated Current (A)	Rated Output Power		Voltage (V)	RPM	Rated Torque (Nm)	No. of Poles	Rated Frequency (Hz.)	Machine weight (kg) Approx.
									(Kw)	(HP)						
GH04 200 032	300	4	0.32	2:1	4	6	200	4.0	0.62	0.84	230	60	100	12	6	90

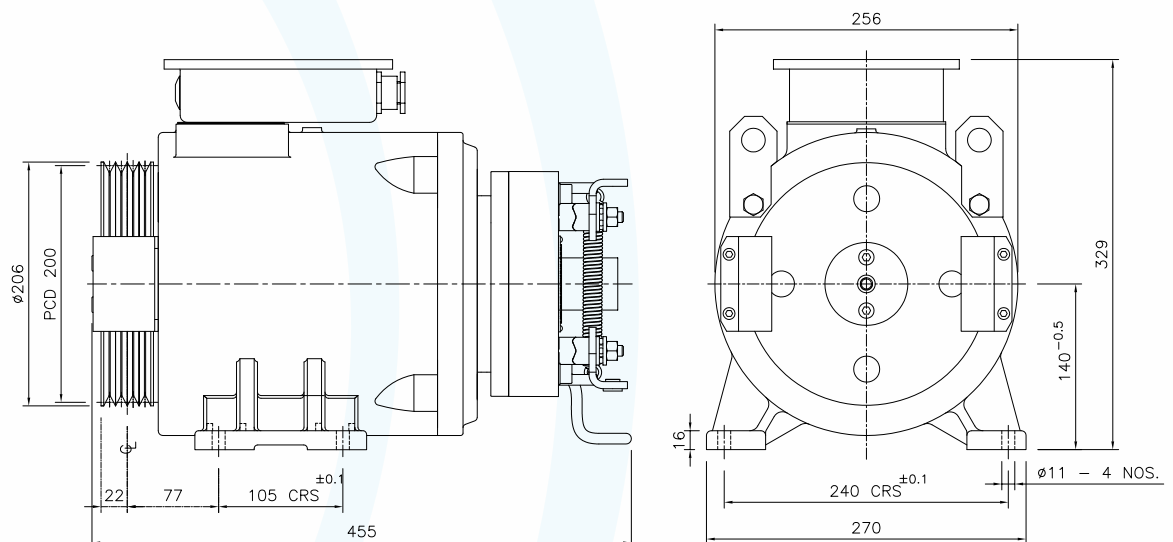
Encoder - SinCos, PPR - 2048, Voltage - 5VDC

IMPORTANT NOTES :

- Roping - 2:1 • Static Load - 1000Kg (Max.), • Shaft Efficiency - 85%, • Duty Cycle - S3-40%, • Start /Day - 150 • Brake Voltage - 220/110 VDC, • Car Weight (Kg) ≤ 500



GROOVE DETAILS





Elevator Systems Division

Bharat Bijlee Limited, No.2 MIDC, Thane - Belapur Road, Airoli,
Navi Mumbai 400708, India. Tel: + 91 22 2763 7200 / 7400, Fax: + 91 22 2763 7438

CIN: L31300MH1946PL005017

Email: elevatorsales@bharatbijlee.com Website: www.bharatbijlee.com