

Permanent Magnet Gearless Traction Machines for Elevators



SynchroTorq™ | **E-Series**

Permanent Magnet Gearless Traction Machines for Elevators

FEATURES



Higher efficiency



Compact and space saving design



Insulation class F with thermistors for temperature monitoring and protection



Simple installation and maintenance



Manual brake release provision



20 pole motor



Energy saving (upto 30%)

APPLICATIONS



Machine Room Less

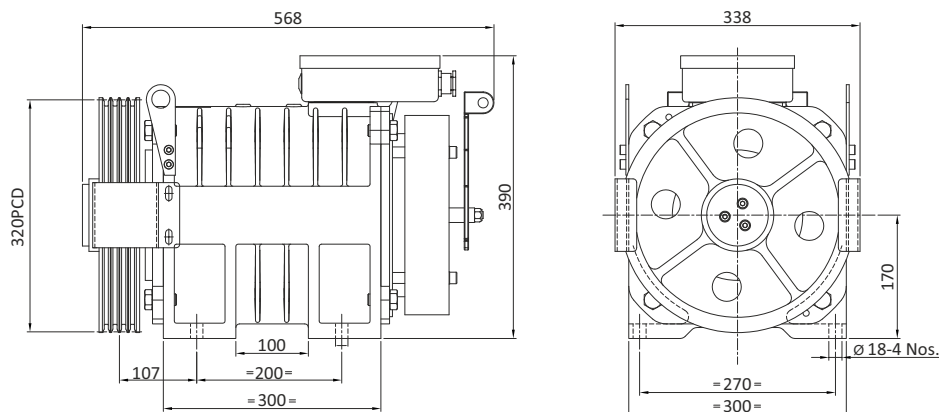


New Installations

TECHNICAL SPECIFICATIONS

Motor Characteristics	STEE-06-320-100	STEE-08-320-100	Selection Data	STEE-06-320-100	STEE-08-320-100
Sheave diameter (mm)	320		Passenger capacity	6	8
Machine Speed (rpm)	120		Duty load (kg)	408	544
Connection	Delta		Car speed (m/s)	1	
Rated frequency (Hz)	20		Starts / Hour	120	
Rated torque (Nm)	240	300	Rope diameter (mm)	8	
Rated out put power (kW)	3.0	3.8	Number of ropes	4	
Rated voltage (V)	400		Roping ratio	2:1	
Rated current (A)	9	10.5	Brakes and Encoder		
Duty cycle	S3 40%		Supply voltage (V)	220 / 110	
Static load (kg)	2000		Brake torque (Nm)	225	350
Machine weight (kg)	150		Encoder type	SINCOS	
Protection	IP21		PPR	2048	

DIMENSIONS



REGISTERED OFFICE
 Electric Mansion, 6th Floor,
 Appasaheb Marathe Marg,
 Prabhadevi, Mumbai 400 025
 T: +91 22 2430 6237 / 6375
 E: elevatorsales@bharatbijlee.com
 CIN: L31300MH1946PLC005017

WORKS
 No. 2, MIDC Thane-Belapur Road, Airoli,
 Navi Mumbai 400 708
 T: +91 22 2763 7200 / +91 22 2760 0401

www.bharatbijlee.com