

# Permanent Magnet Gearless Belt Machines for Elevators

---



**GreenStar**  
ELEVATOR BELT MACHINES

## FEATURES



Deploys Polyurethane coated steel belts for suspension



Energy saving (upto 30%)



Insulation class F with thermistors for temperature monitoring and protection



Higher efficiency



Simple installation and maintenance



Compact and space saving design



Manual brake release provision

## APPLICATIONS



Machine Room Less



New Installations

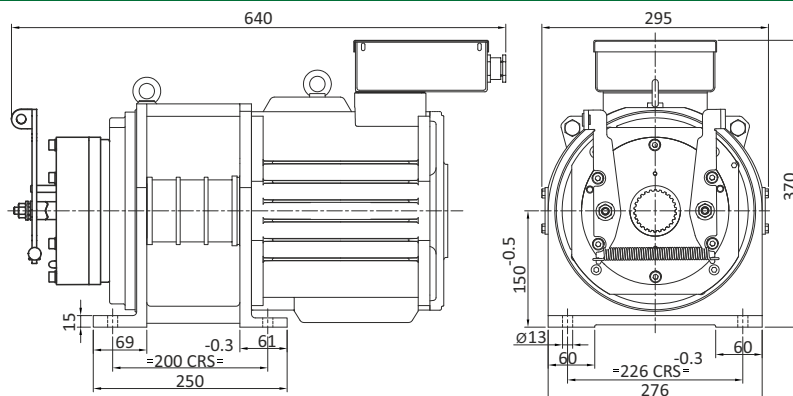


Home Lift Installations

## TECHNICAL SPECIFICATIONS

Motor Characteristics	GB-04-080-	GB-06-080-	GB-08-080-	Selection Data	GB-04-080-	GB-06-080-	GB-08-080-
	32	100	100		32	100	100
Sheave diameter (mm)	80	80	80	Passenger capacity	4	6	8
Machine Speed (rpm)	152	480	480	Duty load (kg)	300	408	544
Connection	Delta	Delta	Delta	Car speed (m/s)	0.32	1	1
Rated frequency (Hz)	15.2	48	48	Starts / Hour	6	120	120
Rated torque (Nm)	45	60	75	Belt width (mm)	30	30	30
Rated out put power (kW)	0.701	3.01	3.8	Number of belts	3	3	3
Rated voltage (V)	230	400	400	Roping ratio	2:1	2:1	2:1
Rated current (A)	4	7	9	<b>Brakes and Encoder</b>			
Duty cycle	S3 40%	S3 40%	S3 40%	Supply voltage (V)	220 / 110		
Static load (kg)	2500	2500	2500	Brake torque (Nm)	90		
Machine weight (kg)	100	100	100	Encoder type	SINCOS		
Protection	IP21	IP21	IP21	PPR	2048		

## DIMENSIONS



**REGISTERED OFFICE**  
Electric Mansion, 6th Floor,  
Appasaheb Marathe Marg,  
Prabhadevi, Mumbai 400 025  
T: +91 22 2430 6237 / 6375  
E: elevatorsales@bharatbijlee.com  
CIN: L31300MH1946PLC005017

**WORKS**  
No. 2, MIDC Thane-Belapur Road, Airoli,  
Navi Mumbai 400 708  
T: +91 22 2763 7200 / +91 22 2760 0401

[www.bharatbijlee.com](http://www.bharatbijlee.com)