

Safeguard your machine and lift with proper earthing.

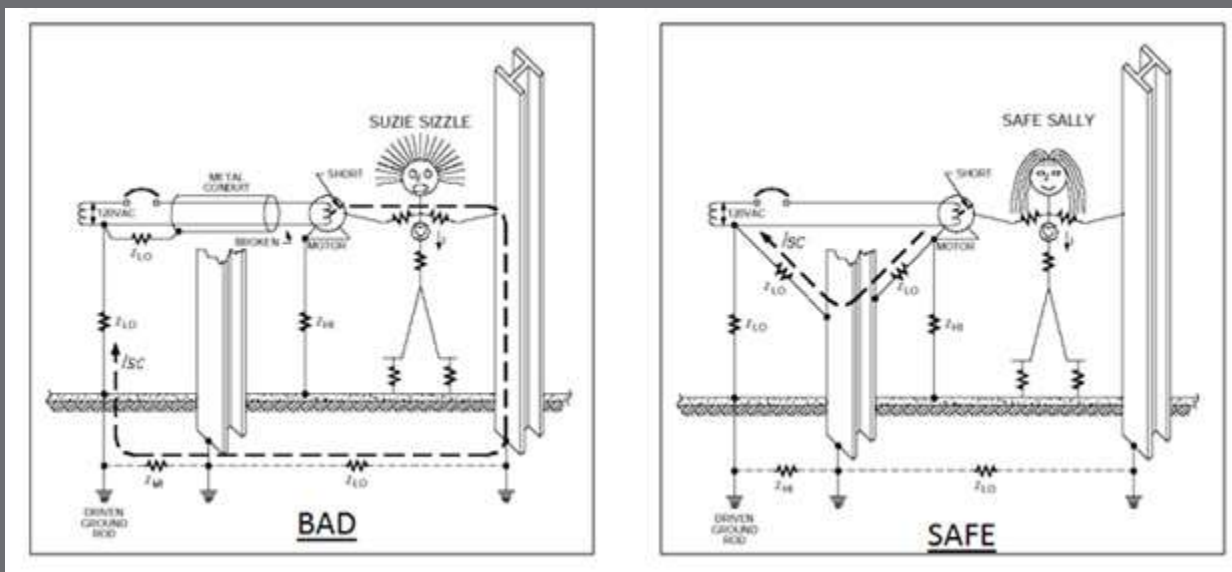
Improper Earthing will result in:

- Malfunction of Elevator
- Damaging of Microprocessor Card in Controller
- Damaging of VF Drive



ENSURE PERSONNEL SAFETY

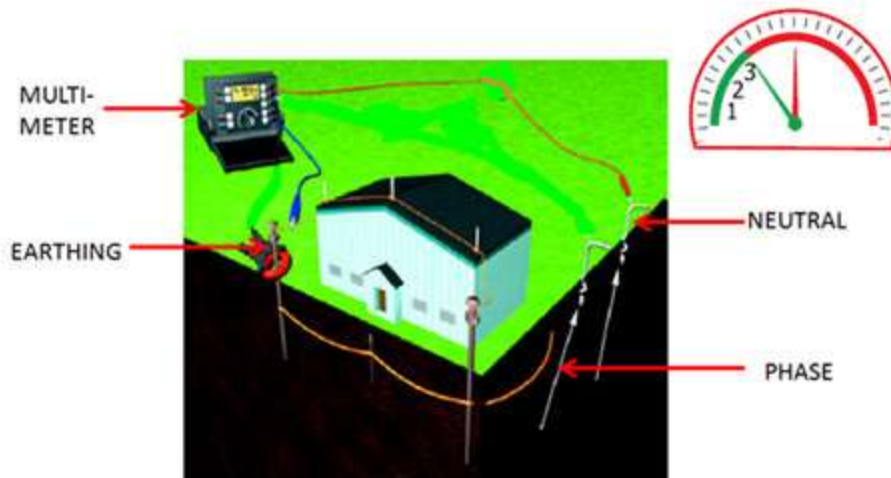
There are a number of good reasons for earthing but primary among them is to ensure personnel safety.



The purpose of a ground is to provide a safe path for the dissipation of Fault Currents, Lightning Strikes, Static Discharges, EMI and RFI signals and Interference.

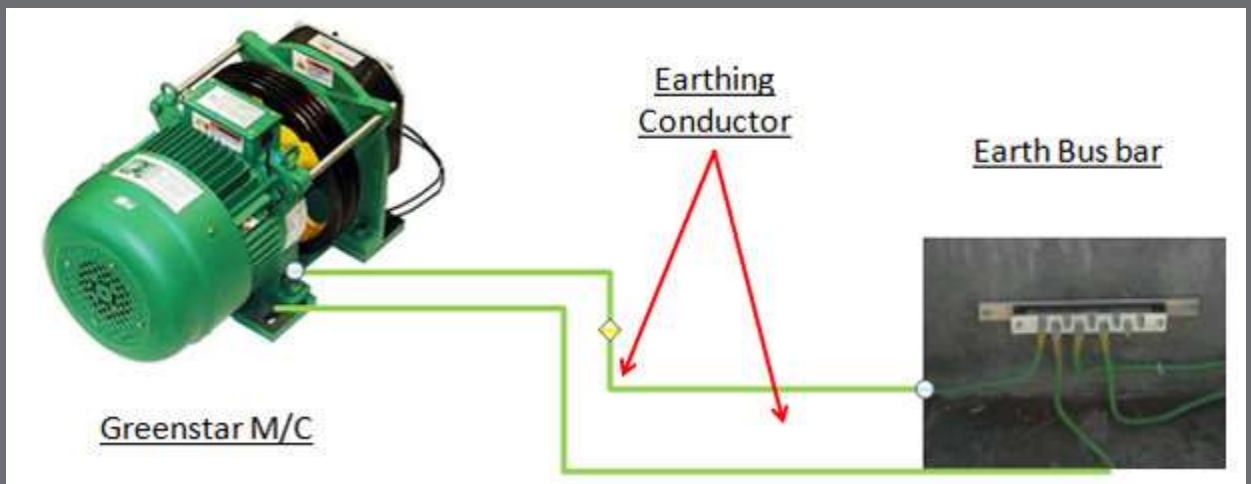
ENSURE PROPER EARTHING

The voltage between EARTHING & NEUTRAL should be less than 3Vac in any condition.



EARTHING MINIMUM AT TWO POINTS

Minimum two separate uninterrupted low impedance earthing conductor (Copper, Galvanized steel of size minimum 6-10 sq.mm.) direct from Earth Bus bar should be connected to the machine at two different points.



For more information, write to atul.kokate@bharatbijlee.com

[MOTORS](#) | [TRANSFORMERS](#) | [PROJECTS](#) | [DRIVES](#) | [ELEVATOR SYSTEMS](#)
www.bharatbijlee.com