

*Powered by Trust™*

 **Bharat Bijlee**



---

**GreenStar Max**  
When you need to plan Big

---

# GreenStar MAX

## High Duty Permanent Magnet Gearless Machine for Elevators

The new GreenStar Max extends our range of PMSM gearless solutions to carrying capacities of up to 2500 kg: the right machine for your Goods, Stretcher and Car elevators.

It offers real savings in energy consumption (up to 30%), and needs less space and routine maintenance than a conventional geared or hydraulic solution. The result? A significantly lower lifetime cost of ownership.

With over 30 years of elevator engineering experience, and several thousand machines already installed, our machines are manufactured for excellence and powered by trust.

**Rated load:** 1500 to 2500 kg

**Rated Speed:** 0.32 m/s to 1.0 m/s

**Features:**

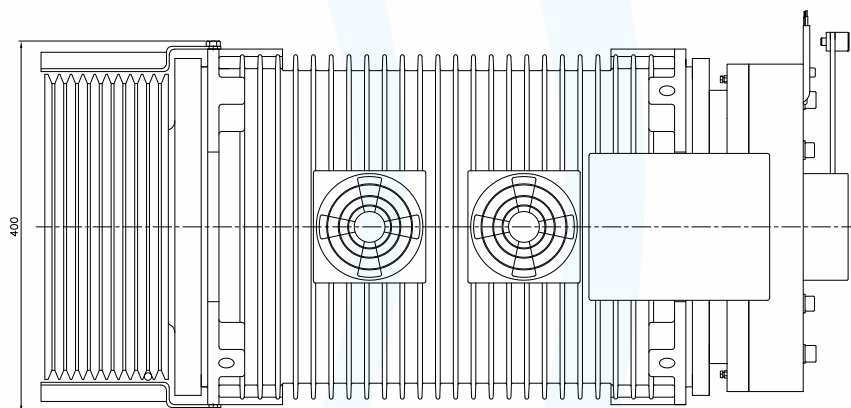
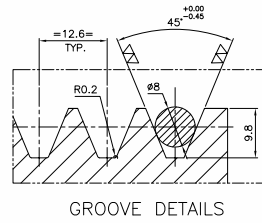
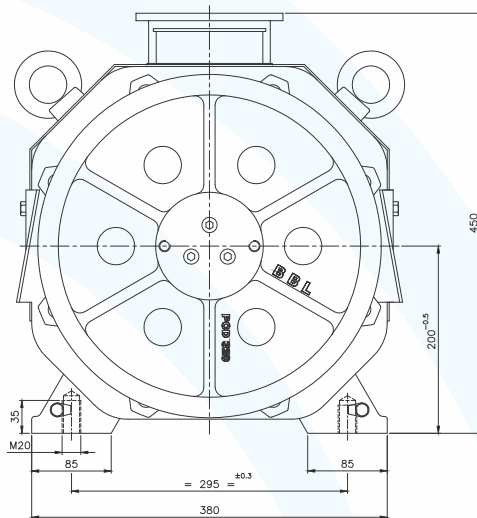
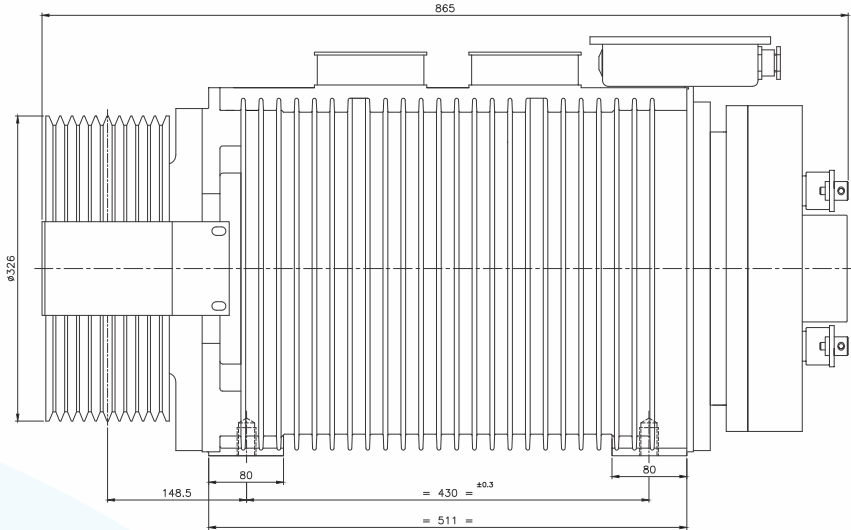
- Outstanding torque
- Capacity up to 2500 kg with 2:1 roping
- Static load up to 5000 kg
- Cantilever design



Model	GCH 1.6T - 320 -100	GCH 2.0T - 320 -100	GCH 2.5T - 320 -100	
Duty load (kg)	1600	2000	2500	
Speed (m/s)	1.0	1.0	1.0	
Sheave Dia.(mm)	320	320	320	
Rope Dia.(mm)	8	8	8	
No. of Ropes	10	10	10	
Roping Ratio	2:1	2:1	2:1	
No of Pole	18	18	18	
RPM	120	120	120	
Rated frequency (Hz)	18	18	18	
Rated Torque (Nm)	800	1000	1200	
Rated Output Power	(kW)	10.1	12.5	15.1
	HP	13.54	16.75	20.24
Rated Voltage (Volts)	400	400	400	
Brake Voltage	220/110VDC	110VDC	110VDC	
Rated current (Amp)	25.0	30.0	36.0	
Duty Cycle	S3 40 %	S3 40 %	S3 40 %	
Starts / Hour	120	120	120	
Machine weight (kg)	400	457	457	

- Encoder - Sincos, PPR - 2048, Voltage - 5VDC
- Wrap Angle: 175 Degrees minimum
- Shaft efficiency: > 85%
- Assumed car weight: 1.2 X Duty load
- Compensating chain necessary if travel > 25 m.
- Maximum travel will depend upon rated speed and applicable Fire Rules.
- Please contact our sales representative for machines with higher load & speed or different pulley combinations.

# ODD DRAWING FOR MACHINES





**Elevator Systems Division**

Bharat Bijlee Limited, No.2 MIDC, Thane - Belapur Road, Airoli,  
Navi Mumbai 400708, India. Tel: + 91 22 2763 7200 / 7400, Fax: + 91 22 2763 7438  
CIN: L31300MH1946PL005017

Email: [elevatorsales@bharatbijlee.com](mailto:elevatorsales@bharatbijlee.com) Website: [www.bharatbijlee.com](http://www.bharatbijlee.com)